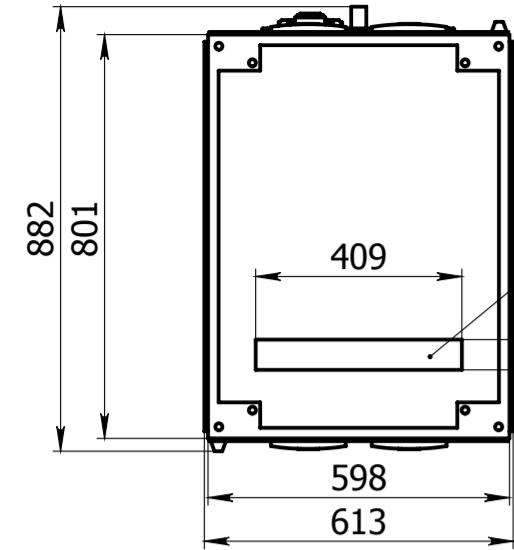
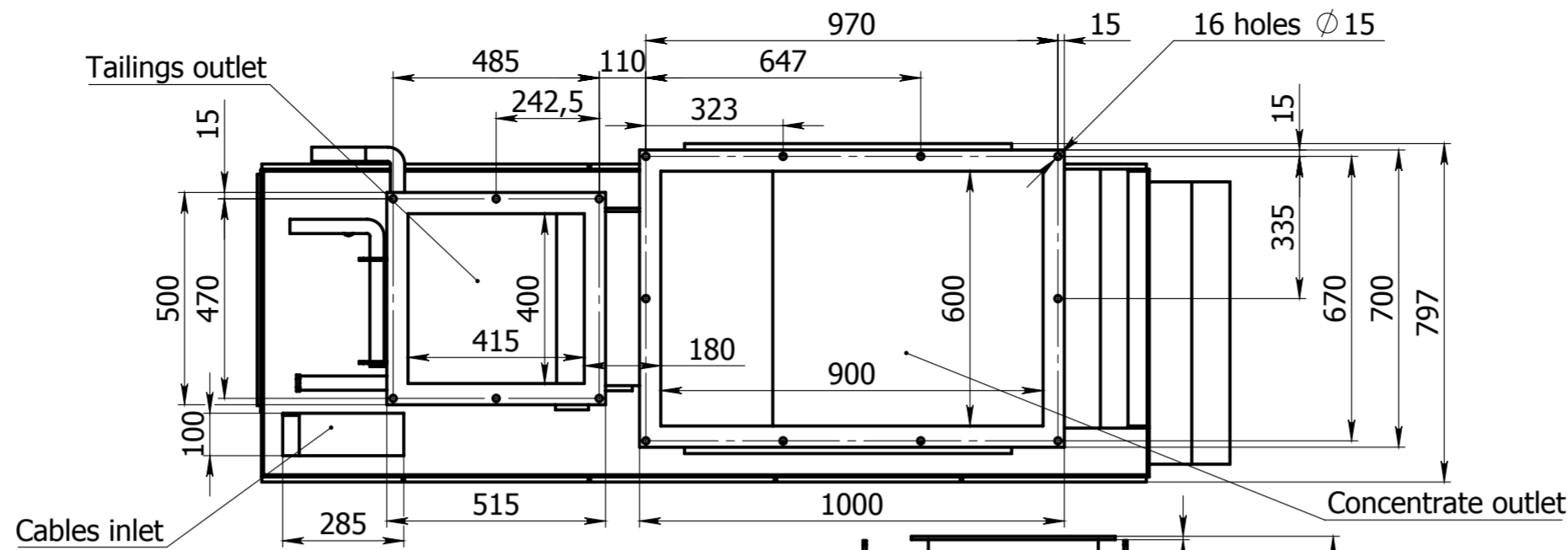


1.217.058

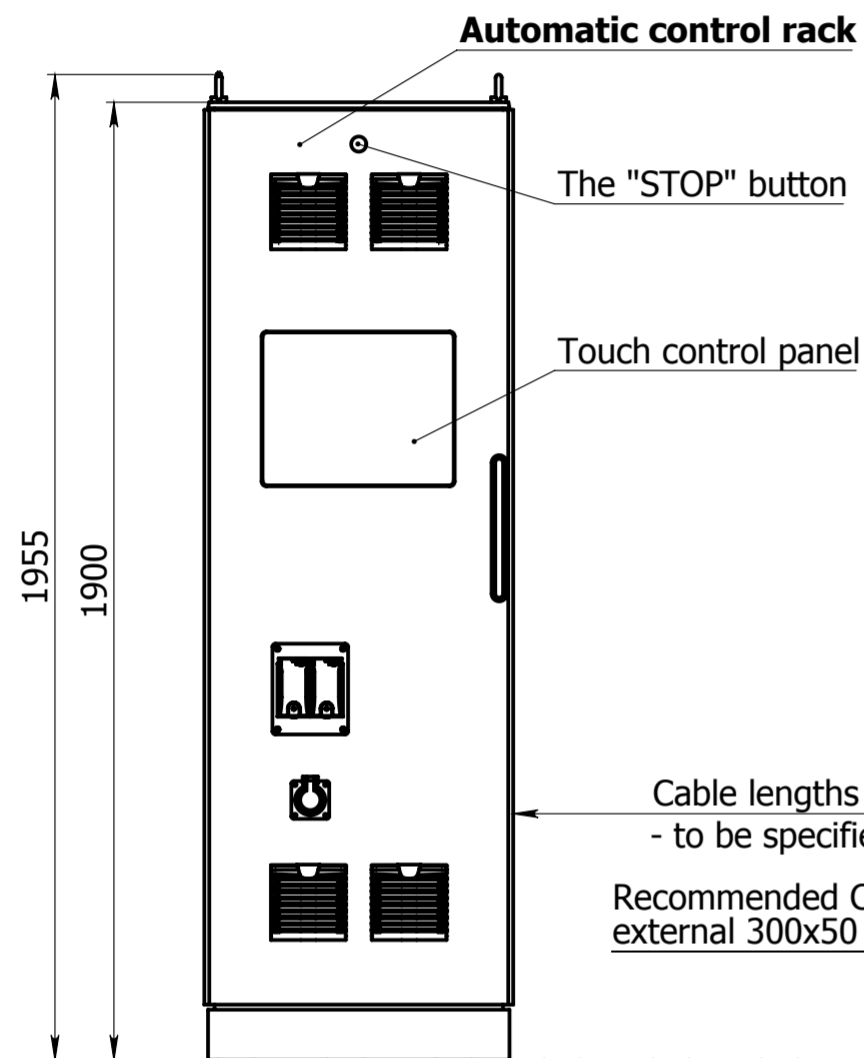


Cables inlet



Cables inlet

Concentrate outlet



Sorting machine

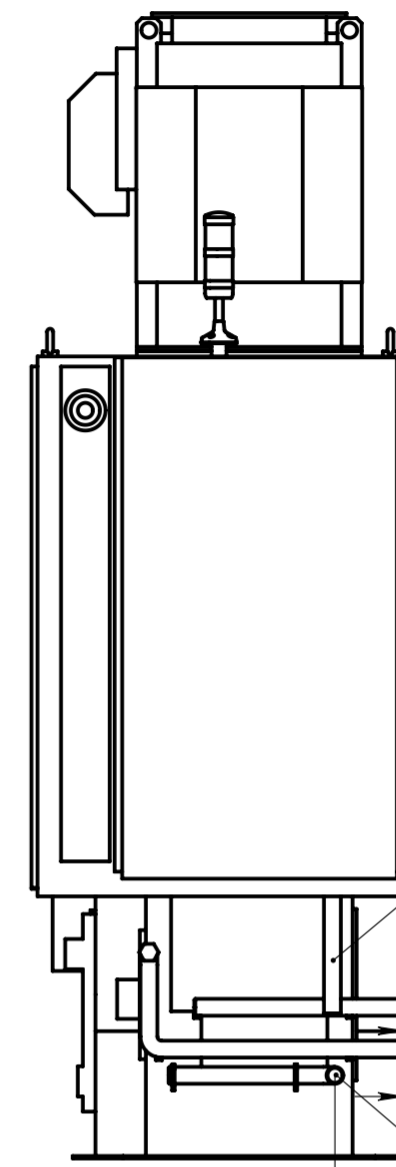
Signal column

A

B

2290max

5



A

Compressed air inlet (G1", outer thread)

Cooling water inlet (G1", outer thread)

35

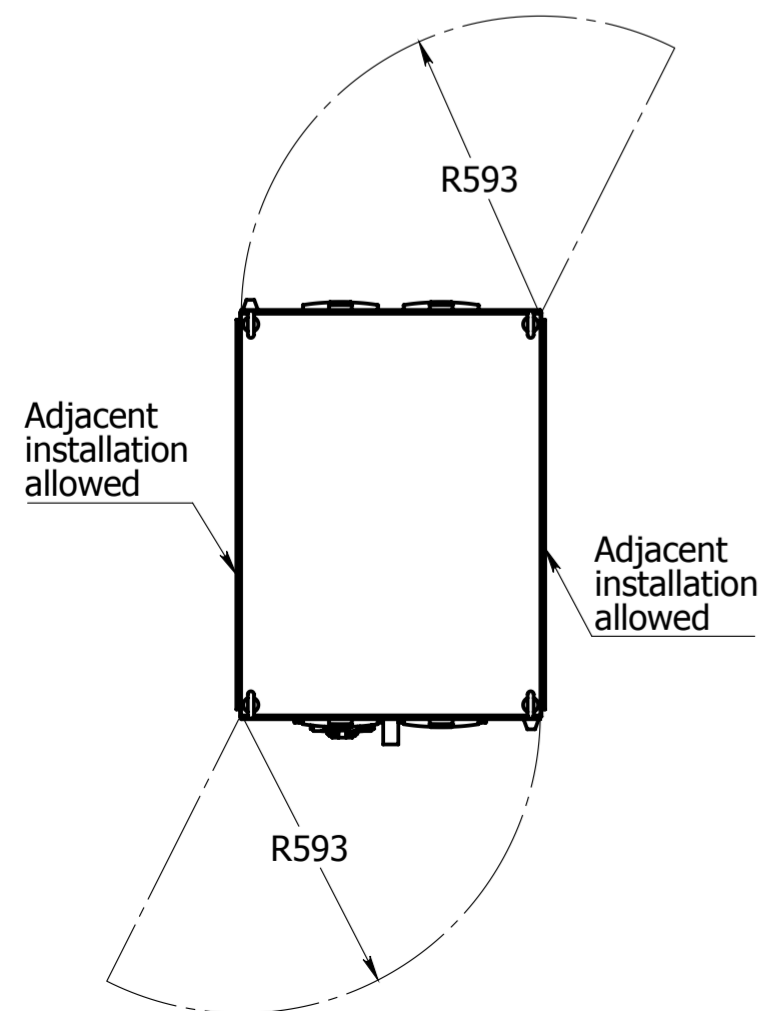
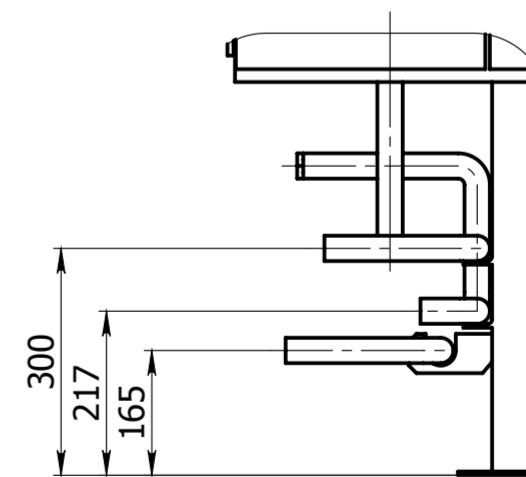
35

Cooling water outlet (G1", outer thread)

Transport water inlet (G1", outer thread)

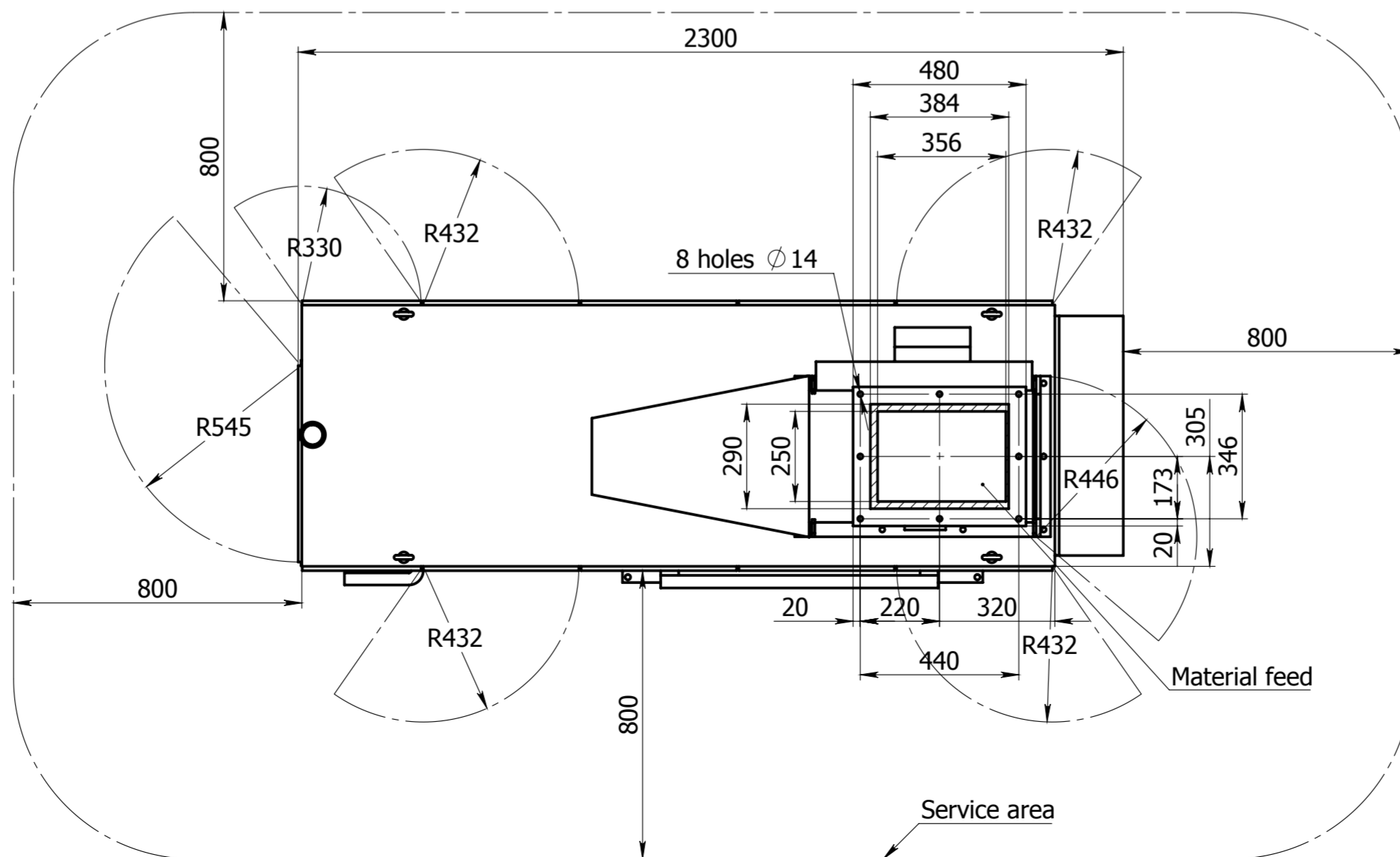
135

B (1 : 10)



Adjacent installation allowed

Adjacent installation allowed



Material feed

Service area

				1.217.058			Revision
Rev. Sheet	Docum. No.	Signature	Date	Litt	Mass	Scale	
Designed				-	-	1:15	
Checked							
Tech.contr.				Sheet	Sheets	1	
Engineer							
Approved							

Sorter LS-20-05-2N

Dimensional drawing